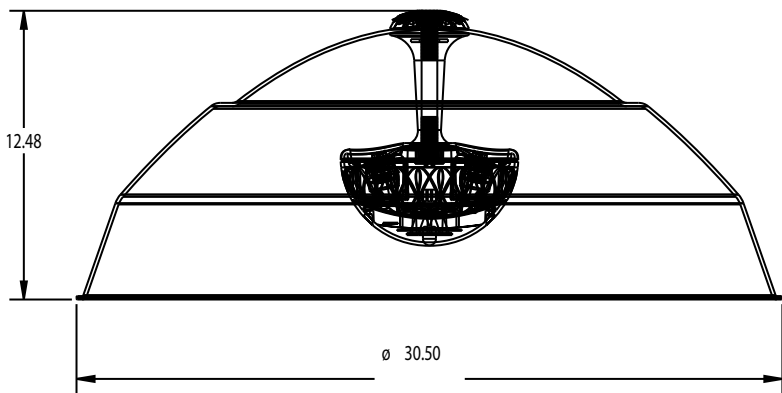
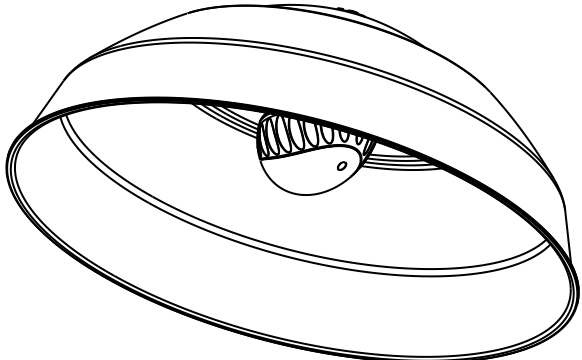


8 7 6 5 4 3 2 1

D
C
B
A

D
C
B
A



8 7 6 5 4 3 2 1

DIMENSIONS ARE IN MILLIMETERS UNLESS OTHERWISE SPECIFIED TOLERANCES: FRACTIONS ± 0.10mm DECIMALS ± 0.05 ZERO PLACE DECIMAL ± 0.25mm ONE PLACE DECIMAL ± 0.25mm	DATE	4/25/95	
	DESIGN	SM	
CHECKED COMMENTS		FIRECOP, UNIT #1000 USA 1-855-440-9525	
PROFESSIONAL SEAL AND CERTIFICATE THE INFORMATION CONTAINED IN THIS DRAWING IS THE PROPERTY OF SONS OF THE AMERICAN AIR FORCE CORPORATION. IT IS TO BE KEPT SECRET AND NOT TO BE REPRODUCED OR TRANSMITTED IN ANY MANNER WITHOUT THE WRITTEN PERMISSION OF SONS OF THE AMERICAN AIR FORCE CORPORATION.	PART NAME FP6030		REV
DO NOT SCALE DRAWING	SIZE B	PART NO.	SCALE 1:8 WEIGHT: SHEET 1 OF 1