

# SA202-RDT

20-WATT PER  
CHANNEL CLASS AB  
MINI AMPLIFIER

SOUNDTUBE  
ENTERTAINMENT



## Specifications: SA202-RDT

## Mounting hardware included

Input Impedance	6k ohms
Frequency Response ( $\pm 3$ dB)	20 Hz-20 kHz (+/- .1 dB)
Max Gain	35 dB
Power per Channel @ < 10 % THD	20 watts (4 ohm stereo), 10 watts (8 ohm stereo)
Power per Channel @ < 1 % THD	15 watts (4 ohm stereo); 8 watts (8 ohm stereo)
Bridged Mono Power @ < 1 % THD	N/A
Signal to Noise Ratio	92dB (100Hz, 12dB/octave, 4 Ohm, A-Weighted)
High-pass filter (F3)	120 Hz, 12 dB per octave
Inputs	Stereo mini unbalanced, high level, RCA stereo, 12V trigger
Height (SM = Height)	31.2 mm / 1.23 in.
Diameter (SM = Width)	101.1 mm / 3.98 in.
Weight	0.25 Kg / 0.55 lbs.
Packaging	1 per box - includes mounting hardware. P/S shipped separately

# SA202-RDT

20-WATT PER  
CHANNEL CLASS AB  
MINI AMPLIFIER

**SOUNDTUBE**  
ENTERTAINMENT

## Description

35 dB maximum gain with 2 x 20 watt output at 4 Ohms. Dual RCA, stereo mini jack and high-level inputs. High pass filter at 120 Hz to reduce bass distortion in smaller speakers. Aluminum housing with integrated heat sink. Power inputs include either three-pin Euroblock or barrel connector. 12-volt trigger for automatic on/off functions when source power is detected. Included SA202-RDT accessories: universal pole- and surface-mount adapter, 15-volt power supply. Designed for the FP series speakers.

## Applications

Small and cost-effective, the SA202 is engineered for external amplification with SoundTube FP sound-focusing and other high-fidelity speakers. Additional applications include digital signage, education, point of purchase, museums, surgical centers, AV carts or any application where a small amplifier is needed to boost a limited source output (e.g., computers, A/V projectors, etc.).

## Patented SoundTube Technologies

SoundTube and MSE Audio Group constantly develop new technologies that enhance audio product performance. SoundTube innovations are protected by multiple U.S. and international patents, which explicitly cover SoundTube dispersion, enclosure and dome technologies. MSE Audio Group actively defends its patents in order to protect SoundTube resellers and end users.

## Technical Data and Specification Tools

### Technical Data

SoundTube Entertainment strives to provide complete and effective technical information and data to dealers, engineers and designers. All data are available from SoundTube Entertainment or at [www.soundtube.com](http://www.soundtube.com). Technical data and downloads include: EASE™ data - 3-D polar plots. EASE™ Address - 2-D modeling for distributed systems Autodesk® Revit®

software Tech Sheets - Technical information and architectural specs for system engineers  
SoundTubeSPEC™ - Proprietary speaker placement software

## Data Acquisition and Verification

All data for SoundTube speakers are independently collected from and verified by NWAALabs ([www.nwaalabs.com](http://www.nwaalabs.com)) using their proprietary MACH testing system. All data are collected and analyzed according to ASTM, ISO and AES standards using EASRA, TEF and MLSSA. Full balloon data including both phase and magnitude are compiled into a variety of formats including EASE 4.x, GLL and CLF.

## Preliminary Technical Information

- 35 dB maximum gain with 2 x 20 watt output.
- Dual RCA, stereo mini jack and highlevel inputs.
- High pass filter at 120 Hz (12 dB per octave) to reduce bass distortion in smaller speakers.
- Aluminum housing with integrated heat sink.
- Power inputs include either three-pin Euroblock or barrel connector.

# SA202-RDT

20-WATT PER  
CHANNEL CLASS AB  
MINI AMPLIFIER

**SOUNDTUBE**  
ENTERTAINMENT

- 12-volt trigger for automatic on/off functions when source power is detected.
- Included accessory: universal pole- and surface-mount adaptor.
- Included SA202-RDT accessories: universal pole- and surface-mount adaptor, 15-volt power supply.
- Optional accessory for SA202: 15-volt, 3-amp power supply (AC-PS-1530-RDT).

## Architectural Specifications

The SA202-RDT and SA202 are 20-watt per channel (4 ohm) Class AB amplifiers (the SA202-RDT includes a power supply). The amplifier shall provide three inputs including a stereo miniature jack, dual RCA and a hard-wired high level input (speaker level). The SA202 also includes a variable 35 dB maximum gain control. Performance specifications of a typical production unit shall be as follows: 20 watts per channel (20 Hz - 20 kHz, 4 ohm, stereo) or 10 watts per channel (20 Hz - 20 kHz, 8 ohm stereo). The high pass filter shall have an f3 of 120 Hz and a slope 12 dB per octave. The external wiring output connector shall be a Euroblock connector that accepts from 10 - 22-gauge wire. The power input shall

either be by three pin Euroblock that accepts from 10 - 22-gauge wire or barrel connection. The system shall be for indoor applications. The enclosure shall be constructed of extruded aluminum with integrated heat-sink fins. Overall cabinet dimensions shall be no more than 31.2 mm (1.23 in.) in height by 101.1 mm (3.98 in.) in width and 123.6 mm (4.86 in.) in depth. The SA202-RDT shall include the amplifier, mounting hardware, power supply, high-power input wire and Euroblock power connectors. The SA202 shall include only the amplifier and mounting hardware. An optional 15-volt, 3-amp power supply is available (AC-PS-1530-RDT). The AC-PS-1530-RDT power supply (included with the SA202-RDT, optional with the SA202) accepts input voltage from 100-240 volts and complies with UL, CE and RoHS standards. The system shall be the SA202-RDT or the SA202 for amplification.

### SoundTube

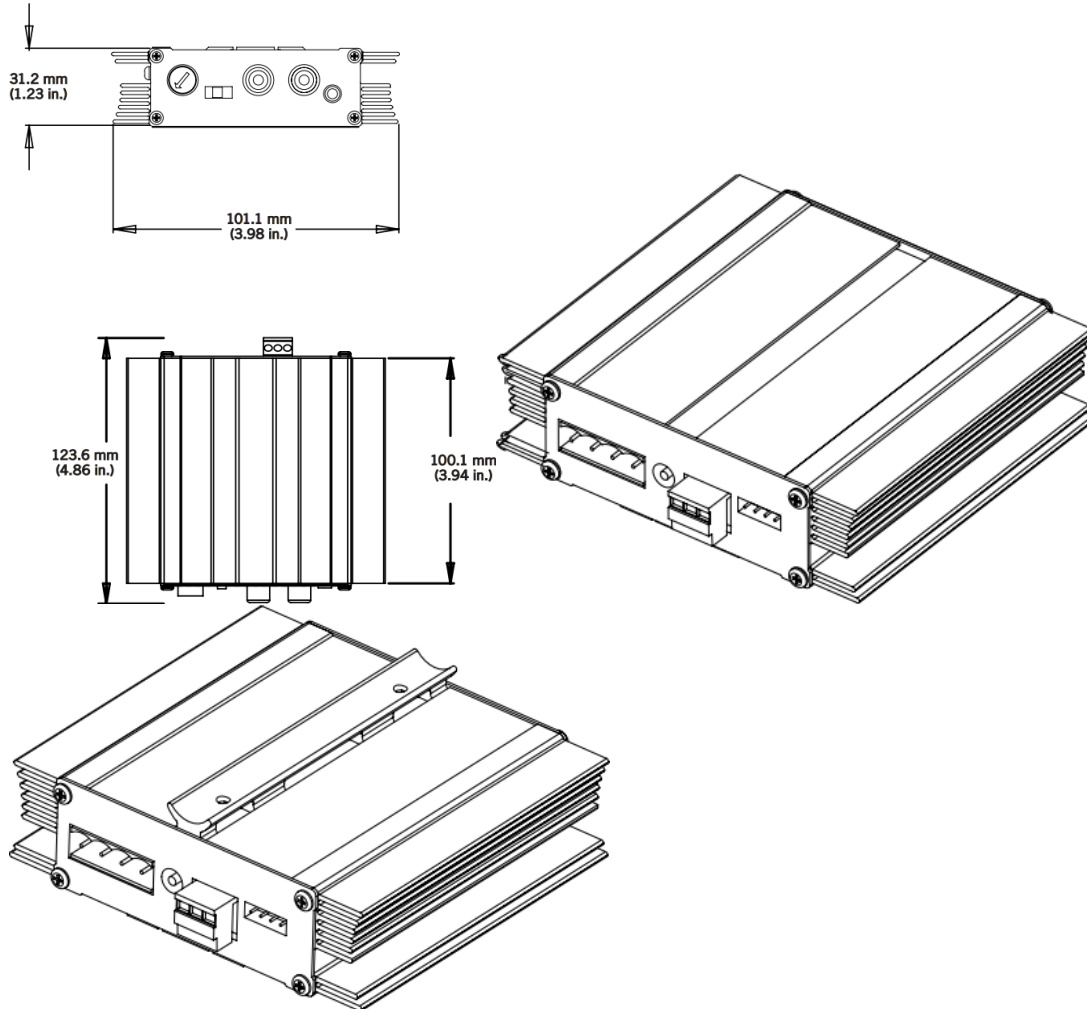
8005 W. 110th St. | Suite 208  
Overland Park, KS 66210  
Phone 9136635600  
Fax 8556635600  
Toll Free 8556635600  
<http://soundtube.mseaudio.com>  
All SoundTube products come with a 5-year limited warranty.

# SA202-RDT

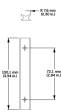
20-WATT PER  
CHANNEL CLASS AB  
MINI AMPLIFIER

SOUNDTUBE  
ENTERTAINMENT

## Mechanical Drawings



## Included Accessories



**Pole/surface mount adaptor**