

RS600i

6.5" Coaxial Open-Ceiling Speaker

SOUNDTUBE
ENTERTAINMENT



Specifications: RS600i

Mounting hardware included

Nominal Impedance	8 ohm
Impedance (min)	4.8 ohm
Sensitivity dB @ 2.83V/1M	88.5dB
Sensitivity dB @ 1W/1M (2)	88.5dB
Frequency Response (± 3 dB)	85 Hz - 17 kHz
Frequency Response (± 10 dB)	58 Hz - 22 kHz
Max. Program Power	180W
Max. Continuous Power RMS	90W
Max. Power SPL @ 1 M	108.0dB
Directivity Factor (Q) (Averaged 100Hz - 10kHz, @ 2kHz)	4.7 (Average 100 Hz - 10 kHz) 7.9 (2 kHz)
Directivity Index (DI) dB (Averaged 100Hz - 10kHz, @ 2kHz)	5.7dB (Average 100 Hz - 10 kHz) 9.0dB (2 kHz)
Tap Selector	6 Position rotary switch with transformer bypass
70.7 Volt Transformer Taps	33w / 103.5dB
100 Volt Transformer Taps (dB)	33w / 103.5dB
25 Volt Transformer Taps (dB)	5w / 95.5dB
Transformer Options	25 / 70.7 / 100 Volt with voice coil / 8 Ohm direct
Transducer - Low Frequency Driver	6.5" Polypropylene Cone with Butyl Rubber Surround
Transducer - High Frequency Driver	1" Convex Titanium Tweeter w/ Waveguide
Network Type: Low Pass	12dB per octave, 2nd order
Network Type: High Pass	12dB per octave, 2nd order
Angle	100
Coverage Angle (-6 dB @ 2 kHz)	100
Colors	Black or white
Inputs	4 Pin, 5.08 mm Euroblock for individual or daisy chain connection
Height (SM = Height)	363.5 mm / 14.3 in
Diameter (SM = Width)	307.3 mm / 12.1 in
Weight	6.1 kg / 13.4 lb
Shipping Weight	7.5 kg / 16.5 lb

RS600i

6.5" Coaxial Open-Ceiling Speaker

SOUNDTUBE
ENTERTAINMENT

Specifications: RS600i

Accessories Included

Packaging

Regulatory - UL

Regulatory - CE

Regulatory - RoHS

Regulatory - IP

Mounting hardware included

Hanging Hardware: Main and Safety Cables
w/ SpeedClamp™

1 per box

Approved UL1480A

Approved

approved

not planned

Key Features

- Patented BroadBeam® waveguide technology delivers a consistent dispersion pattern for maximum intelligibility and edge-to-edge coverage (up to 10 kHz, independently verified).
- One 6.5 inch (165 mm) polypropylene woofer and one 1.0 inch (25.4 mm) convex titanium tweeter with FerroFluid cooling mounted to a proprietary castaluminum baffle and heat sink.
- Weatherized components for indoor and outdoor applications.
- Includes UL-listed hanging hardware with galvanized steel cables and integrated SpeedClamp™ self-locking cable grip for fast, easy and secure installation. Also includes Euroblock connector and terminal weather boot.
- Patented ZeroReflection™ enclosure technology for optimal sound reproduction and cabinet rigidity.
- Easy access six-position selectable tap switch for 25-, 70.7- and 100-volt applications with transformer bypass position simplifies ordering and inventory tracking.
- Steel grille with protective powdercoated finish for lasting durability.
- Average sensitivity of 88.5 dB offers high-output capabilities and reduced amplification costs.
- UL 1480 (UEAY), 2239 (hanging cable) and Mil-Spec 810 approved.
- High-quality black or white paint finish. Custom paint colors optional.
- Optional accessory: AC-RS-SM6 bracket for surface-mount applications.

Description

One 6.5 inch polypropylene woofer and one 1.0 inch convex titanium tweeter with FerroFluid cooling mounted to a proprietary cast-aluminum baffle and heat sink. Includes UL-listed hanging hardware with galvanized steel cables and integrated SpeedClamp™ self-locking cable grip for fast, easy and secure installation. Also includes Euroblock connector and terminal weather boot. Patented ZeroReflection™ enclosure technology for optimal sound reproduction and cabinet rigidity. Easy access six-position selectable tap switch for 25-, 70.7- and 100-volt applications with transformer bypass position simplifies ordering and inventory tracking. Steel grille with protective powder-coated finish for lasting durability. Average sensitivity of 88.5 dB offers high-output capabilities and reduced amplification costs. UL 1480 (UEAY), 2239 (hanging cable) and Mil-Spec 810 approved.

Applications

Designed for indoor and outdoor background to mid-level SPL applications, the RS600i includes a single-point mounting system for rapid open-ceiling installations with an optional bracket for surface-mount applications. The broad dispersion pattern (100°) and high sensitivity (88.5 dB 1 W/1 m) make the RS600i speaker ideal for retail, restaurants, grocery stores, hotels, casinos, fitness centers, conference rooms, big box stores, museums, trade shows, airports and other open-ceiling applications. For applications where additional bass is required, SoundTube's RS1001i-II-T 10-inch subwoofer may be used with bass down to 38 Hz.

BroadBeam® Wide Dispersion Technology

SoundTube's proprietary BroadBeam® technology incorporates a highfrequency waveguide mated to a 1-inch convex titanium tweeter. The BroadBeam® high-frequency waveguide delivers a consistent dispersion pattern across the upper registers of the frequency spectrum (up to 10 kHz, independently verified). The result is better edge-to-edge coverage, reduced power needs, shorter installation time and cost savings on shipping and labor.

Patented SoundTube Technologies

SoundTube and MSE Audio Group constantly develop new technologies that enhance audio product performance. SoundTube innovations are protected by multiple U.S. and international patents, which explicitly cover SoundTube dispersion, enclosure and dome technologies. MSE Audio Group actively defends its patents in order to protect SoundTube resellers and end users.

Technical Data and Specification Tools

Technical Data

SoundTube Entertainment strives to provide complete and effective technical information and data to dealers, engineers and designers. All data are available from SoundTube Entertainment or at www.soundtube.com. Technical data and downloads include: EASE™ data - 3-D polar plots. EASE™ Address - 2-D modeling for distributed systems Autodesk® Revit® software Tech Sheets - Technical information and architectural specs for system engineers SoundTubeSPEC™ - Proprietary speaker placement software

Data Acquisition and Verification

All data for SoundTube speakers are independently collected from and verified by NWAALabs (www.nwaalabs.com) using their proprietary MACH testing system. All data are collected and analyzed according to ASTM, ISO and AES standards using EASRA, TEF and MLSSA. Full balloon data including both phase and magnitude are compiled into a variety of formats including EASE 4.x, GLL and CLF.

Architectural Specifications

The loudspeaker shall consist of a 165 mm (6.5 in.) low-frequency transducer and a 25.4 mm (1.0 in.) high-frequency transducer mounted in a patented BroadBeam® waveguide with a crossover network installed in the ported enclosure. The low-frequency voice coil diameter shall be 25.4 mm (1.0 in.). Performance specifications of a typical production unit shall be as follows: Useable frequency response shall extend from 58 Hz - 22 kHz (-10 dB). Measured sensitivity (2.83-volt input, 1 meter) shall be at least 88.5 dB. The speaker shall have a nominal impedance of 8 ohms. The speaker shall be available for 25-, 70.7- and 100-volt modes and shall include a six-position tap switch with a transformer bypass position. The frequency-dividing network shall have a crossover frequency of 3 kHz with slopes of 12 dB per octave (2nd order) for both low- and high-pass filters. Rated power capacity shall be at least 90 watts continuous (RMS) and conform to EIA- 426-B testing. Maximum continuous output at 1 meter shall be 108 dB. The low-frequency transducer shall have a polypropylene cone with butyl rubber surround. The high-frequency transducer shall be constructed of titanium with a proprietary BroadBeam® waveguide. Installation for the unit shall be by UL listed, galvanized steel cable affixed to the speaker chassis via an integrated snap hook. For safety redundancy, a secondary cable shall be included. The external wiring input connector shall be a four-pin, 5.08 mm Euroblock for 8 ohm or distributed systems and shall accept from 10 - 22-gauge wire. The system shall have a weather-resistant boot covering all wire connectors. The enclosure shall be constructed of injection-molded, glass-reinforced ABS. The grille shall be constructed of powdercoated steel for lasting performance in the elements. Overall cabinet dimensions shall be no more than 363.6 mm (14.31 in.) in height by 307.3 mm (12.10 in.) in diameter. The speaker shall include hanging hardware, Euroblock connector and weather-resistant terminal boot. The system shall be the SoundTube RS600i with hanging hardware for both low- and high-impedance applications.

SoundTube

8005 W. 110th St. | Suite 208
Overland Park, KS 66210

Phone 9136635600

Fax 8556635600

Toll Free 8556635600

<https://soundtube.mseaudio.com>

All SoundTube products come with a 5-year limited warranty.

RS600i

6.5" Coaxial Open-Ceiling Speaker

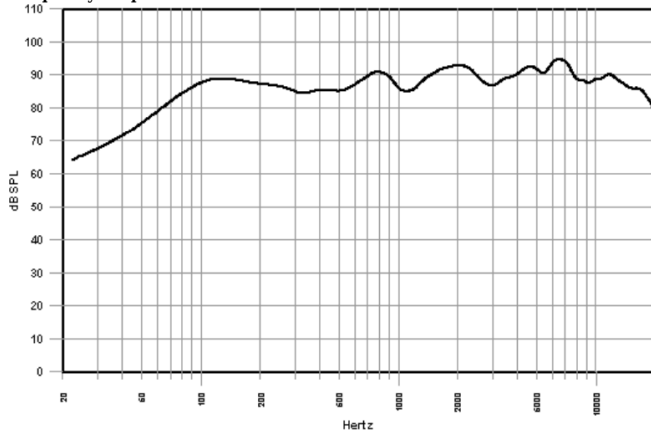
SOUNDTUBE ENTERTAINMENT

Graphs and Plots

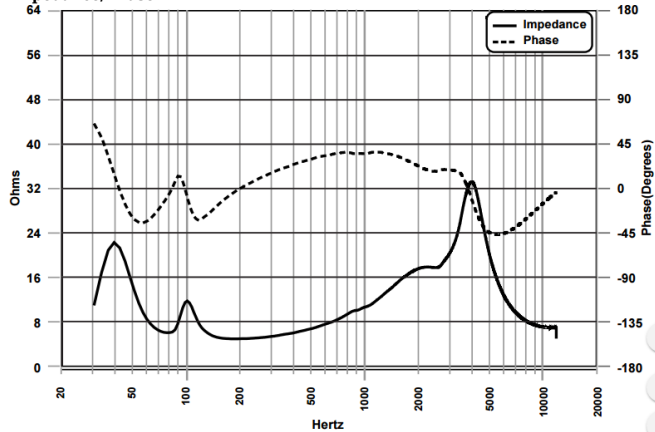
Directivity Index

x

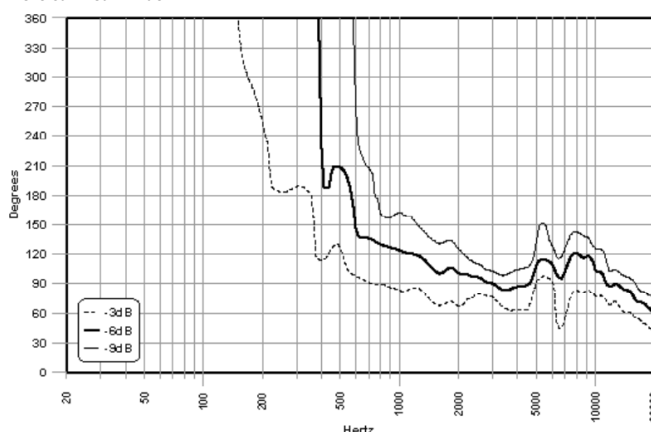
Frequency Response



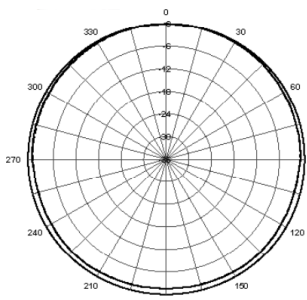
Impedance/Phase



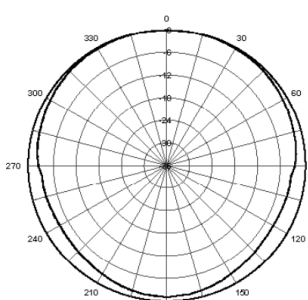
Vertical Beamwidth



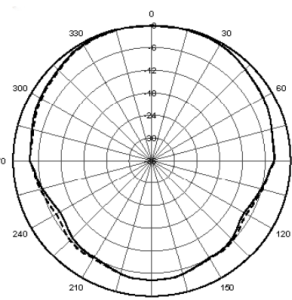
125 Hz



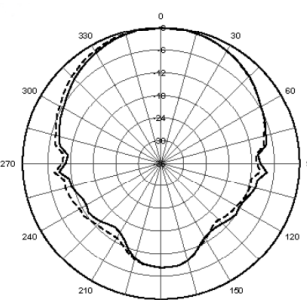
250 Hz



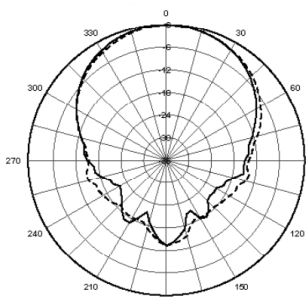
500 Hz



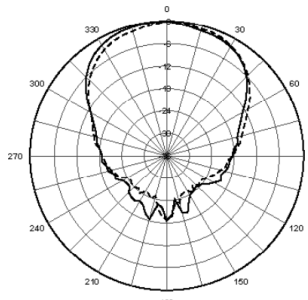
500 Hz



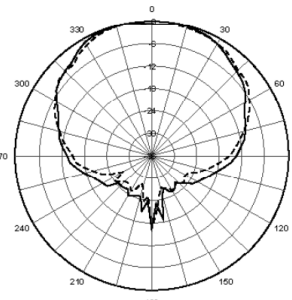
2000 Hz



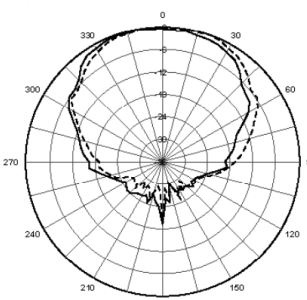
4000 Hz



8000 Hz



8000 Hz

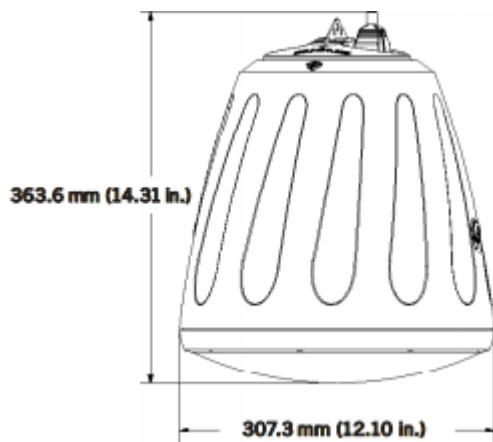


RS600i

6.5" Coaxial Open-Ceiling Speaker

SOUNDTUBE
ENTERTAINMENT

Mechanical Drawings

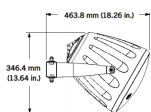


Included Accessories



Hanging Hardware: Main and Safety Cables w/ SpeedClamp™

Optional Accessories



**Surface-Mount Bracket
(AC-RS-SM6)**

**Hanging Kit (AC-RS-
HH-10)**

Forged Eyebolt (AC-FE1)

Beam Clamp (AC-BC-1)

**Hanging Kit (AC-RS-
HH-20)**

Snap Link (AC-SL-1)

**Split Loom Tubing (AC-
SLT-10)**

**Hanging Kit (AC-RS-
HH-50)**